



Quality Changes the World

45 SERIES MATERIAL HANDLING MACHINE



Quality Changes the World



中国 广东 珠海市高栏港经济开发区三一工业园
Tel 0756-7266963 Service 4008 87 8318
Fax 0731-84031999-149 Consulting 4008 87 9318
Email sanyport@sany.com.cn



www.sanygroup.com

Sany material handling machine

Material Handling machine is an efficient machine used in ports, stacking yards and warehouses to load or stack bulk cargo as well as to pick up, hoist or cut materials. Numerous core technologies promote the outstanding performance of SANY Material Handler. Energy control technology, hydraulic linkage technology, anti-rollover protection technology, malfunction automatic detection and data real-time display, bringing you high working efficiency and hearty security.

SANY

MATERIAL HANDLING MACHINE

Wide working range
/ High efficiency
/ Low fuel consumption



LONG RANGE

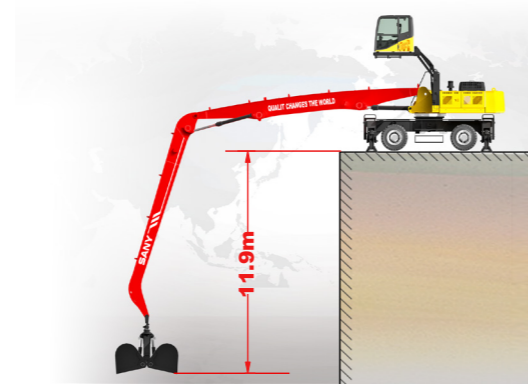
High The maximum height point of stick can reach 19.3 m
The maximum height of handling can reach 16.8 m
The maximum horizontal view for operator is 6.2m



Far The maximum horizontal handling point can reach 19.6 m



Deep The maximum deep handling point can reach 11.9 m



HIGH EFFICIENCY

Fast Turning cycle in one minute can reach 8 times
Minimum working cycle can reach 30 seconds

Capacity The maximum capacity of grab can reach 5 m
The efficiency of loading and unloading can reach 520 t/h
Can load 13 units 40 ton truck within one hour

Efficiency 10% more Efficiency than competitors.



LOW CONSUMPTION

- Saving** Saving 10% fuel consumption by using Kawasaki positive hydraulic system and Sany DOMCS control system.
- Lighter** Lighter design
Advance structure design, lighter and stronger
- Advancer** Smart controller can control the engine speed, output according to the real time capacity.



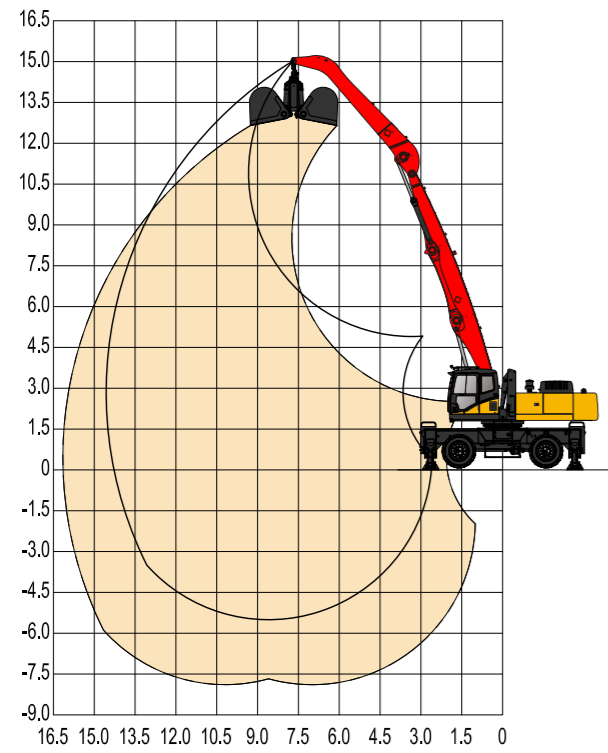
CONFIGURATION PARAMETER

Spec						Remark
Power system	engine	model	ISUZUengine			
		Power	212kW/ 2000rpm			
		Fuel tank	540L			
moving system	SMHW48	Drive	four wheel drive、four wheel turning			
		Axle	DANA turning drive axle			
		Gear box	DANA 2 档			
		tyre	12-24 solid tyre			
	SMHC45	Moving part	SANY			
hydraulic system	Kawasaki positive hydraulic system					
cabin	lifting structure	single four linkage bar lifting				
	lifting height	2650mm				
Boom	Boom spec	K14	K16	K17	K18	K20
		Movable boom 8.6m	Movable boom 8.6m	Movable boom 9.6m	Movable boom 10.5m	Movable boom 10.5m
		stick 6.0m	stick 7.5m	stick 7.5m	stick 7.5m	stick 9.5m
	Working Radius	13.5m	15m	16.5m	16.5m	18
	Working depth	-5m	-7m	-8.5m	-8.5m	-11.9m
	Working height	14.5 m	15.5 m	16.5m	18m	18m
	Theoretical load on max diagram point(including attachment)	5.0t	3.5t	3.5t	3.5t	3.0t

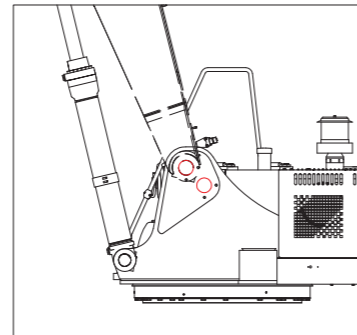
Parameter				remark
Item	unit	number		
gross weight	SMHW48	t	48.4	
	SMHC45	t	45.2	
speed	SMHW48	km/h	3 (load) /20(unload)	
	SMHC45	km/h	3 (load) /5(unload)	
Grade ability	SMHW48	%	35	
	SMHC45	%	40	
Rotation speed	r/min	0-8		

Grab							注：表格中的作业效率为理论值
Material type	Density t/m ³	Model	Grab type	Capacity m ³	Grab weight t	efficiency t/h	
Waste steel	steel	1	SLM1000	plum blossom grab	1.0	2.12	240~320
Super light density material	Grain	0.6	SLS5006	Double shell grab	5	2.97	320~380
Light density material	Coal,feilizer, feedstuff	0.8	SLS3508	Double shell grab	3.5	2.77	300~360
Middle density material	Sand,gravel	1.6	SLS2525	Double shell grab	2.5	2.42	360~520
Strong density material	Iron ore	2.4	SLS1525	Double shell grab	1.5	2.35	340~440
Wood	3m long	0.8	SWY2000	wood grab	2.0 m ²	2.09	320

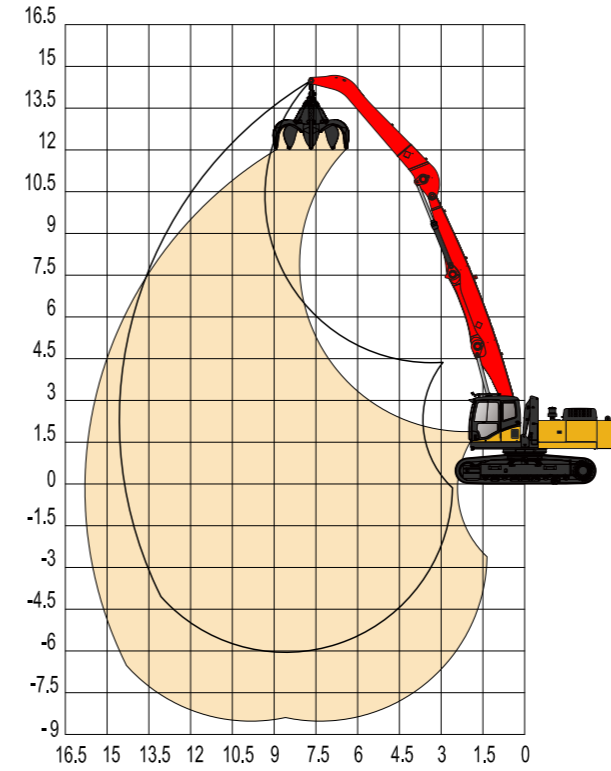
SMHW48 WORKING RANGE



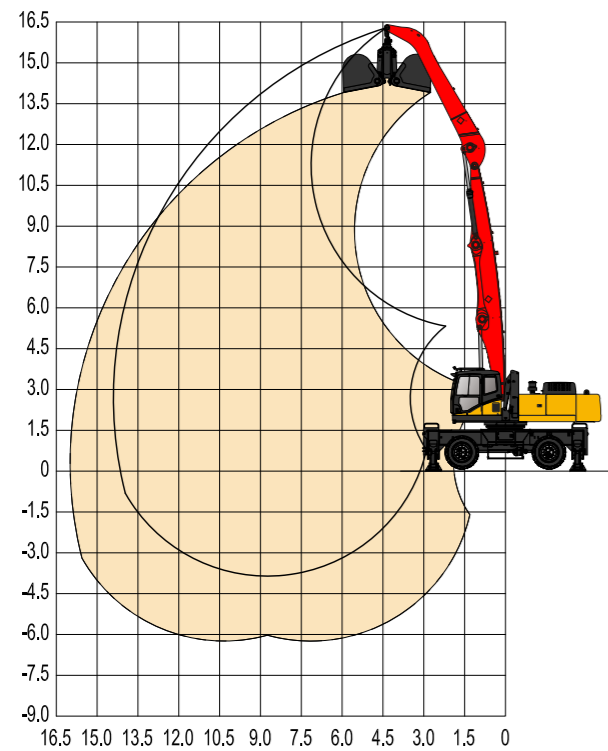
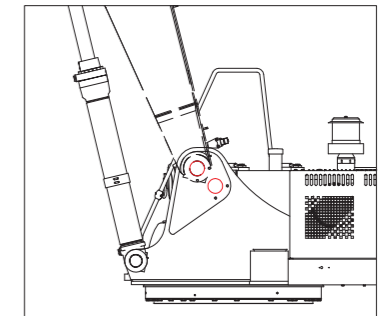
Movable boom 8.6m,
loading stick 6m, Hinge
point at the top point



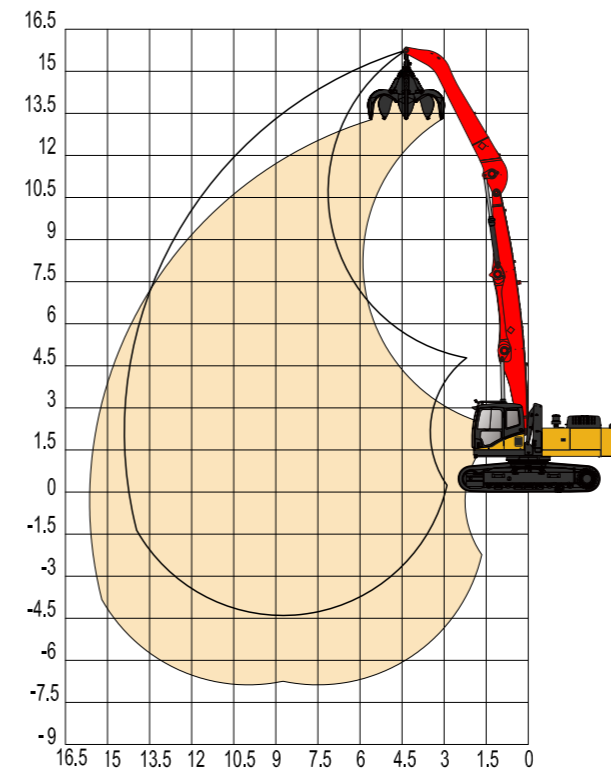
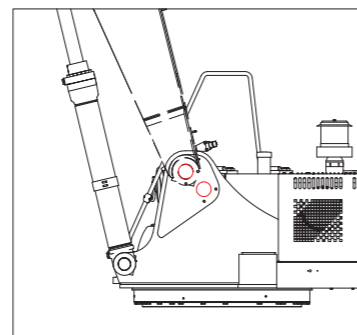
SMHC45 WORKING RANGE



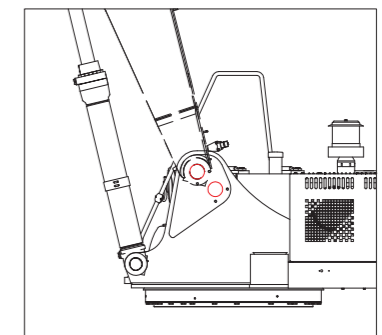
Movable boom 8.6m,
loading stick 6m, Hinge
point at the top point



Movable boom 8.6m,
loading stick 6m, Hinge
point at the bottom point

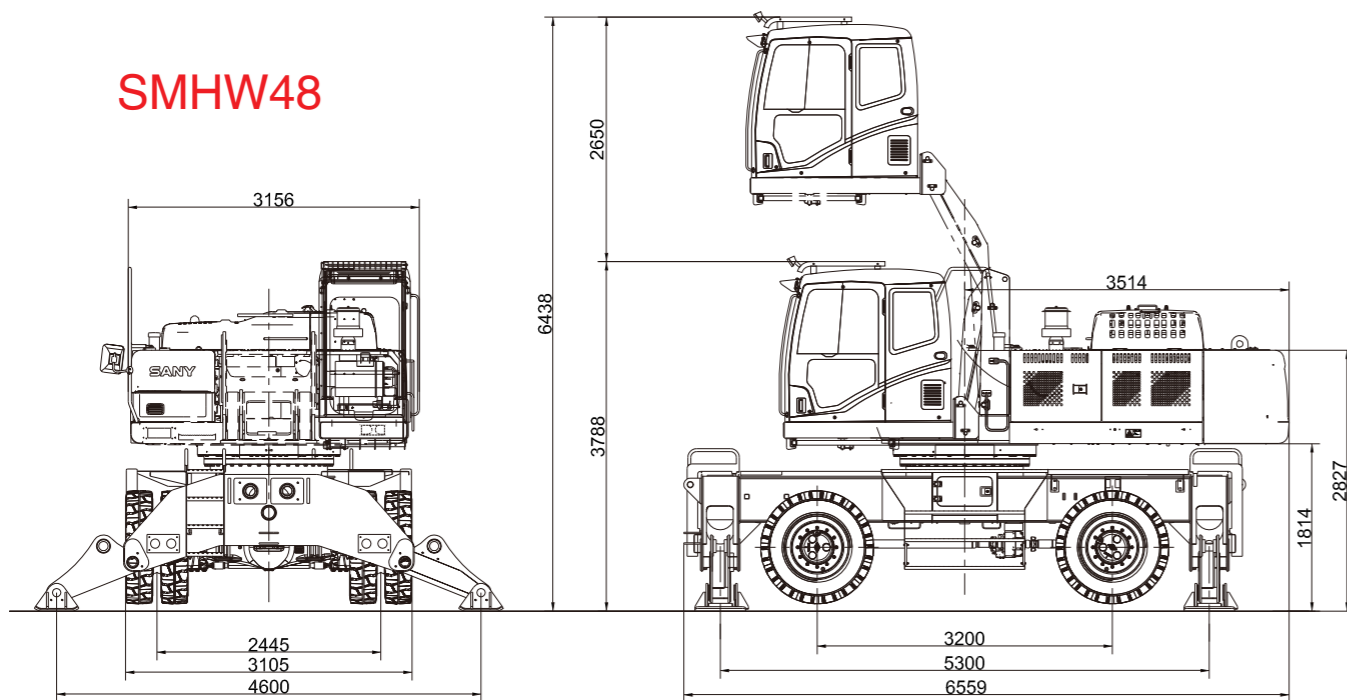


Movable boom 8.6m,
loading stick 6m, Hinge
point at the bottom point

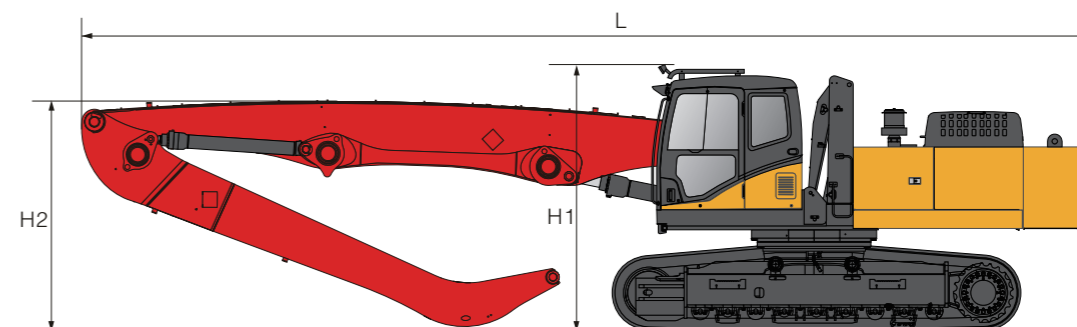
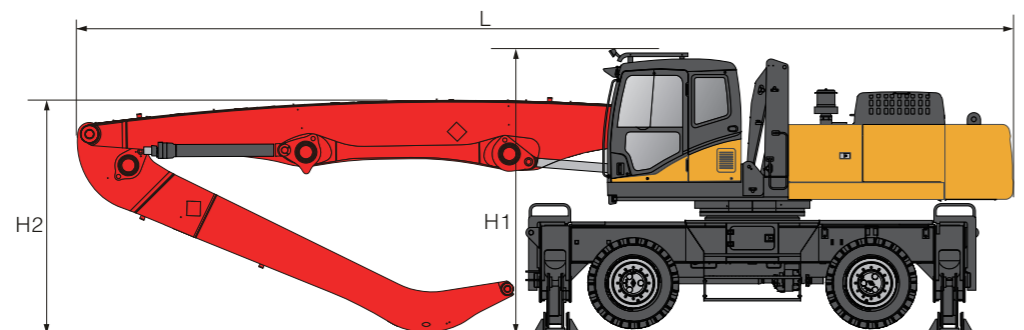
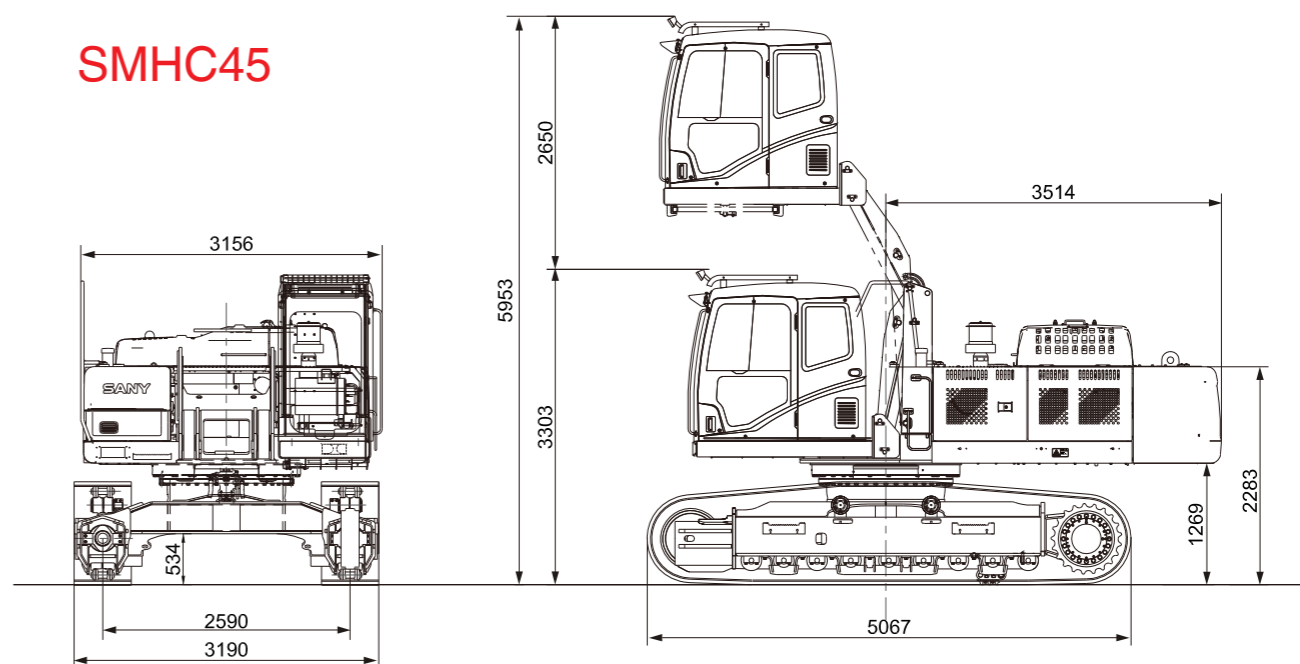


DIMENSION MEASUREMENT IDENTIFIERS

SMHW48



SMHC45



	The Length of movable boom hinge point	The length of stick boom hinge point	L	H1	H2
Boom combination 1	8.6m	6m	12.24m	3.708m	3m
Boom combination 2	9.6m	7.5m	13.32m	3.708m	5.2m
Boom combination 3	10.5 m	9.5m	14.23m	3.708m	6.1m

	The Length of movable boom hinge point	The length of stick boom hinge point	L	H1	H2
Boom combination 1	7m	4.5m	11m	3.31m	2.76m
Boom combination 2	8.6m	6m	12.58m	3.31m	2.76m



Service Concept

All for customers, creating value for customers

Service Strategy

Build unparalleled service; realize “First Brand of Global Service” of Port Machinery.

Service Advantages

SANY has offices in over 200 countries and regions, with 30 agents in China, about 50 repair factories and 6S stores, over 3000 elite service engineers, 1000 offices and parts warehouse accommodating 100,000 kinds of parts worth more than RMB 600 million. We also have highly efficient logistics system by air, sea and land, which can transport genuine parts at any time.

Industry leading Enterprise Control Center (ECC): running for more than ten years, the ECC, as the industry initiative, is worth over RMB 30 million. It can realize real-time supervision and remote precision troubleshooting. With information promoting industrialization, it innovatively created SANY’ s service system of “Unity of man and heaven, synergy among 1st, 2nd and 3rd levels” .

GCP, GPS and CSM system: customers can learn the working conditions & key work parameters through SANY’ s global portal and realize remote supervision. The system also supports parts and service search, providing convenient all-round equipment supervision.

